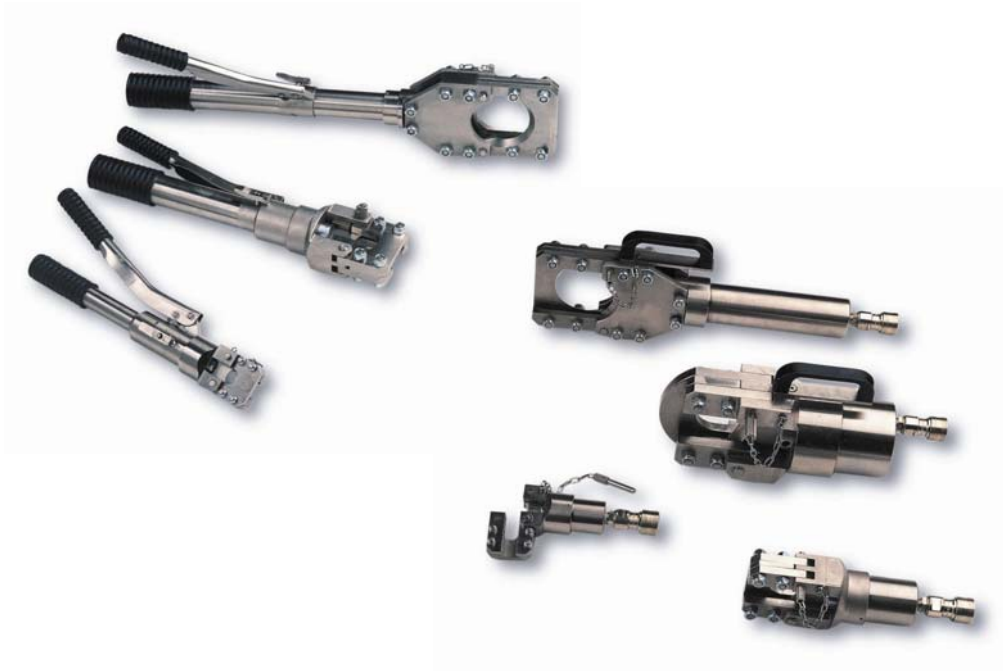




HYDRAULIC TOOLS: CABLE AND BAR CUTTER “CC01120”



LARZEP, S.A.

Avenida Urutiaga, 6
48269 MALLABIA, SPAIN
Tel. +34 943 171200
Fax. +34 943 174166
e-mail: sales@larzep.com
www.larzep.com

LARZEP AUSTRALIA PTY. LTD.

104 Wedgewood Road,
HALLAM, VIC. 3803 AUSTRALIA
Tel. +61 (3) 9796 3744
Fax. +61 (3) 9796 5964
e-mail: sales@larzep.com.au
www.larzep.com.au

LARZEP GB LTD.

3 Commerce Way - Leighton Buzzard
BEDS LU7 4RW UNITED KINGDOM
Tel. +44 1525 377819
Fax. +44 1525 851990
e-mail: sales@larzep.co.uk
www.larzep.co.uk

INDEX

1. BEFORE USING THE EQUIPMENT	2
2. TECHNICAL FEATURES	2-3
3. ESSENTIAL SAFETY REQUIREMENTS	3
4. START-UP	4
5. MAINTENANCE	4
6. WARRANTY	4
7. DECLARATION OF CONFORMITY	5
ANNEX	

- GENERAL DRAWING

1. BEFORE USING THE EQUIPMENT.

Remove the tool from its packaging and check for external damage, such as:

- a broken cutting blade.
- a damaged levers.
- a loosed/unscrewed parts.

LARZEP hydraulic tools are designed in accordance with internal quality standards, in compliance with the ISO 9001 regulation.

The tools are designed for the applications described in this manual. Any other use may pose a risk to the equipment and result in hazardous situations for the operator. Always use the tools in well-lit areas.

The manufacturer accepts no responsibility for damage resulting from the improper use of the tool.



Never use hydraulic equipment that is damaged or suspected to be in poor condition.

The tools are designed for the applications described in this manual. Any other use may pose a risk to the equipment and result in hazardous situations for the operator. The manufacturer accepts no responsibility for damage resulting from the improper use of the tool.

The operator should be fully aware of the risks inherent in the use of high-pressure hydraulic tools, and should act responsibility in accordance with that described in this manual, ensuring both his/her own safety as well as the safety of others located in the vicinity of the working zone.



Do not loose instruction manual.

The working instructions should be available for consultation by the operator at all times.

In addition to reading and understanding the instructions manual, the operator should be trained in the use of the machine and in the standards and regulations governing operations of this kind, such as those pertaining to accident prevention and environmental protection, for example. All exposed personnel should use appropriate personal protection equipment: boots, helmet, goggles, gloves and protective clothing.



Boots



Helmet



Goggles



Gloves



Clothes

2. TECHNICAL FEATURES.

The tools in the CC cable cutter range are designed to cut cables and bars in accordance with the specifications contained in the table below. Any other use not included in the said specifications may cause irreparable damage to the cutter and render it unable to carry out the task for which it was designed.

When using the cable cutter, the operator should take steps to prevent the cable from fraying. We recommend that, before commencing the cutting operation, the cable be attached to either end of the cutting zone, using tape, wire or another similar means.

The operator should take appropriate steps at all times to prevent exposure to flying particles of cable or bar generated during the cutting process (personal protection equipment, protection screens, etc.).

MODEL		CC0018	CC0040	CC0075
CAPACITY	kN	54 kN	135 kN	70 kN
PRESSURE	bar	550 bar	700 bar	700 bar
WIRE ROPE	STEEL Ø Ext. mm ALUMMINIUM Ø Ext. mm	18 mm 18 mm	40 mm 40 mm	40 mm -
CABLE	TELÉPHONE Ø Ext. mm. LEAD Ø Ext. mm UNDERGROUND Ø Ext. mm.	- 18 mm 18 mm	- 40 mm 40 mm	75 mm 75 mm 75 mm
STEEL ROPE MAX.R = 1800 N/mm ²	Ø Ext. mm. WIRE min.mm.	18 mm 1 mm	32 mm 2 mm	- -
BAR MAX.R= 400 N/mm ²	STEEL Ø Ext. mm COPPER Ø Ext. mm ALUMMINIUM Ø Ext. mm	12 mm 15 mm 15 mm	20 mm 30 mm 30 mm	- - -
BLADE		CRC 18	CRC-35-40	CRC75
DIMENSIONS	A mm B mm C mm	385 mm 60 mm 18 mm	490 mm 92 mm 41,5 mm	650 mm 126 mm 77 mm
WEIGHT	kg	2,8 kg	5,6 kg	6,8 kg

MODELS		CC0118	CC0140	CC0175	CC0190	CC01120	CC0160
CAPACITY	kN	54 kN	135 kN	70 kN	109 kN	109 kN	437 kN
PRESSURE	bar	550 bar	700 bar	700 bar	700 bar	700 bar	700 bar
WIRE ROPE	STEEL Ø Ext. mm	18 mm	40 mm	40 mm	35 mm	35 mm	60 mm
	ALUMMINIUM Ø Ext. mm	18 mm	40 mm	-	-	-	60 mm
CABLE	TELÉPHONE Ø Ext. mm	-	-	75 mm	90 mm	120 mm	-
	LEAD Ø Ext. mm	18 mm	40 mm	75 mm	90 mm	120 mm	-
	UNDERGROUND Ø Ext. mm	18 mm	40 mm	75 mm	90 mm	120 mm	-
STEEL ROPE MAX.R = 1800 N/mm ²	Ø Ext. mm	18 mm	32 mm	-	-	-	60 mm
	WIRE Ømin. mm	1 mm	2 mm	-	-	-	3 mm
BAR MAX.R= 400 N/mm ²	STEEL Ø Ext. mm	12 mm	20 mm	-	-	-	25 mm
	COPPER Ø Ext. mm	15 mm	30 mm	-	-	-	35 mm
	ALUMMINIUM Ø Ext. mm	15 mm	30 mm	-	-	-	35 mm
BLADE		CRC 18	CRC-35-40	CRC75	CRC0190	CRC01120	CRC0160
DIMENSIONS	A mm	212 mm	290 mm	451 mm	535 mm	635 mm	388 mm
	B mm	60 mm	92 mm	126 mm	146 mm	178 mm	105 mm
	C mm	19 mm	41,5 mm	75 mm	92mm	122 mm	64 mm
WEIGHT	kg	2 kg	4,5 kg	5,5 kg	10 kg	11,7 kg	15,6 kg

3. ESSENTIAL SAFETY REQUIREMENTS.

- In the event of the improper working of the machine or one of the connected elements, immediately halt all operation, depressurise the system and resolve the problem.
- Before beginning operation, make sure that the danger zone is unoccupied.



Check that the machine and accessories have not been damaged in any way during transportation to the plant.

- Always use the tools in well-lit areas.
- Regardless of whether the cutting tool has a built-in or separate pump, try to establish the most convenient and stable working method for both the tool and the operator.



Allow for a general use at 80% of the tool's nominal capacity. Do not exceed the tool's nominal capacity.

In the case of tools with separate pumps, we recommend the use of a pressure indicator, in order to enable the operator to monitor at all times the force to which the system is subjected

- It is quite possible that when cut, the work piece may project particles and fragments. Therefore, the operator should protect his/her body and (particularly) eyes using appropriate protective equipment.



Goggles



Face Protection.

- In the case of tools with a separate pump, the hose enables the operator to move further away from the danger zone, while in the case of tools with built-in pumps, if possible, a guard should be positioned between the work piece and the operator.
- Do not expose tools to intense heat sources, such as welding equipment, for example.
- Depressurise and disconnect the tools before carrying out any maintenance operations
- The controls of both the tools with built-in pumps and the separate pumps themselves should always be activated manually. Do not use hand tools, levers, etc. to work the controls.
- In the case of tools with separate pumps, make sure all the quick plugs are completely clean before connecting.
- Make sure that the hydraulic hoses are neither twisted nor unduly tensed.
- When working with an electric pump, make sure that the valve is set to its neutral position before connecting the tool.
- When working with cable cutters, fraying may occur during the cutting operation. To avoid this, clamp the cable to either end of the cutting blade with tape, wire or even a bushing.
- Clean the quick plugs thoroughly before connecting.
- In all cases, the operator should be thoroughly trained in the operation of the tool and should act in accordance with the logical safety criteria associated with the use of high-pressure equipment.

4. START UP.

MODELS WITH IN-BUILT PUMP. CC0018,CC0040 AND CC0075	MODELS WITH A SEPARATE PUMP. CC0118, CC0140, CC0162, CC0175, CC0190 AND C01120.
1- Hold the tool by the thick handle and with the tool in an upright position (head facing up).	1- Connect the hose’s female quick plug to the tool’s male plug. Make sure the connection is secure.
2- Pump the lever to check that the blade moves forward.	2- Read and follow the pump instructions.
3- Make sure the deformation zone is free from obstruction, and then continue pumping until the blade reaches the end of its travel. At this point the lever will become stiffer and harder to move.	3- Remove the pin and open the tool head.
4-Continue pumping until the safety valve is activated. Check for oil leaks.	4- Place the material to be cut in the cavity of the counter-blade and close the head, fixing it in place with the pin. Make sure the pin is properly positioned.
5- Press the unload button and check that the blade returns to its initial position.	5- Pump until the material is cut.
6- Repeat this operation as many times as necessary in order to become familiar with the operation of the tool.	6- Move the blade back by activating the pump valve.
7- Remove the pin and open the tool head.	7- Pump until the material is cut.
8- Place the material to be cut in the cavity of the counter-blade and close the head, fixing it in place with the pin. Make sure the pin is properly positioned.	8- When using electric or air-based pumps, the application is automated. In such cases, the operator should be specially trained, in order to avoid the possibility of involuntary actions.
9- Pump until the material is cut.	
10- Once cut, press the unload button to move the blade back. Open the head and remove all traces of waste material before making another cut.	

5. MAINTENANCE.

- After use, the tool should be cleaned and the area where the blade comes into contact with the heads oiled.
- In the event of oil leaks, disassemble the tool and change the seals. The individual blueprint provided for each tool specifies its components and codes.
- During this operation, check the condition of the inside of the cylinder. If scratches or snags are detected, then a more thorough repair procedure will be required. We recommend that this be carried out **by specialist personnel**.
- Check for loose nuts in the head.
- In the event of improper functioning in the models with built-in pumps, we recommend that you send the tool to an authorised technical service for inspection and repair.

CHANGING THE BLADE.

- CC0018, CC0118, CC0075, CC0175, CC0190 and CC01120: pump until the piston and blade move out far enough to provide access to the screw (22). Release the screw and remove the blade. Replace the blade with a new one and attach to the piston by tightening the screw (22) once again.
- CC0040, CC0140 and CC0160: You do not need to pump the piston out, since in these models, the screw (22) can be accessed with the blade in its standby position. Simply remove the screw (22) and replace the blade.

6. WARRANTY.

LARZEP, S.A. guarantees its products against all design and manufacturing defects for the durations of two years from the date of purchase. This guarantee does not include the ordinary wear of both metal and non-metal parts, abuse, using the equipment beyond its rated capacity and any wear or damage incurred as a result of using a hydraulic fluid which is not recommended by **LARZEP, S.A.**

Please note that if the equipment is disassembled or serviced by anyone other than an authorized service dealer or by **LARZEP, S.A.**, this guarantee is rendered null and void.

In the event of a warranty claim, return the equipment, to **LARZEP, S.A.** or the authorized dealer which sold you the hydraulic equipment, **LARZEP, S.A.** will repair or replace the faulty equipment, whichever is deemed most appropriate. **LARZEP, S.A.** shall not be held liable for any consequential damages or losses, which may occur as a result of faulty equipment

7. DECLARATION OF CONFORMITY.**DECLARACION DE CONFORMIDAD**

LARZEP, S.A.
Dirección: Avda. Urriaga, 6
48269 Mallabia ESPAÑA

Declaramos bajo nuestra exclusiva responsabilidad la conformidad de los productos a los que refiere esta declaración, con las disposiciones de la directiva:

89/392/EEC, 91/368/EEC, 93/44/EEC, 93/68/EEC, 98/37/EEC

E**DECLARATION OF CONFORMITE**

Nous, LARZEP, S.A.
Adresse: Avda. Urriaga, 6
48269 Mallabia SPAIN

Déclarons sous notre seule responsabilité que les produits auxquels se réfère cette déclaration sont conformes aux dispositions des Directives:

89/392/EEC, 91/368/EEC, 93/44/EEC, 93/68/EEC, 98/37/EEC

F**DECLARAÇÃO DE CONFORMIDADE**

Nós, LARZEP, S.A.
Endereço: Avda. Urriaga, 6
48269 Mallabia SPAIN

Declaramos, sob nossa única responsabilidade, que os seguintes produtos, incluídos nesta declaração estão em conformidade com o disposto na Directiva:

89/392/EEC, 91/368/EEC, 93/44/EEC, 93/68/EEC, 98/37/EEC

P**ÖVERENSSTEMMELSEERKLÄRING**

Vi, LARZEP, S.A.
Adresse: Avda. Urriaga, 6
48269 Mallabia SPAIN

Erklærer på eget ansvar, at følgende produkter som er omfattet af denne erklæringen, er i overensstemmelse med bestemmelserne i Direktiv:

89/392/EEC, 91/368/EEC, 93/44/EEC, 93/68/EEC, 98/37/EEC

DK**ERKLÄRINGOM ÖVERENSSTEMMELSE**

Vi, LARZEP, S.A.
Adresse: Avda. Urriaga, 6
48269 Mallabia SPAIN

Erklærer på eget ansvar, at følgende produkter som dekkes av denne erklæringen, er i overensstemmelse med bestemmelserne i Direktiv:

89/392/EEC, 91/368/EEC, 93/44/EEC, 93/68/EEC, 98/37/EEC

N**ÜBEREINSTIMMUNG-SERKLÄRUNG**

Wir, LARZEP, S.A.
Anschrift: Avda. Urriaga, 6
48269 Mallabia SPAIN

Erklären auf eigene Verantwortung, daß folgende Produkte, auf die sich diese Erklärung bezieht, mit den Bedingungen der Direktiven 89/392/EEC,

91/368/EEC, 93/44/EEC, 93/68/EEC, 98/37/EEC übereinstimmen.

D

Tipo, Type, Typ, Tyypki.

SM / SH / SP / SMP / SX / SMX / ST / STX / SL / SMA / SHA / SSR / T / TE / TD / D / DH /
DDR / Z / ZR / W / X / YA / YG / YZ / HM / HE / HG / HZ / HS / WI / CK / CC / CN / FU / FV
/ FZ / FA / CY / AA / AU / CT / C / KC

A / AB / AC / BL / B / AF / F / HN / DLG / DL / DP / VA / VB / VC / VZ / EC / EE / EG / EM /
EZ / CA / CS

Mallabia, ESPAÑA 2005 / 04 / 27

Lugar y fecha, place and date, lieu et date, plats och datum,
paikka ja päivämäärä, udstedelsessted og dato, ort und datum,
plaats en datum, local e data, luogo e data.

DECLARATION OF CONFORMITY

We, LARZEP, S.A.
Address: Avda. Urriaga, 6
48269 Mallabia SPAIN

Declare under our sole responsibility that the following products to which this declaration relates conform with the provisions of Directives:

89/392/EEC, 91/368/EEC, 93/44/EEC, 93/68/EEC, 98/37/EEC

GB**DICHIARAZIONE DI CONFORMITÀ**

Noi, LARZEP, S.A.
Indirizzo: Avda. Urriaga, 6
48269 Mallabia SPAIN

Dichiariamo sotto la nostra esclusiva responsabilità che i prodotti ai quali questa dichiarazione si riferisce sono conformi quanto previsto dalle Direttive:

89/392/EEC, 91/368/EEC, 93/44/EEC, 93/68/EEC, 98/37/EEC

I**VAATIMUSTEMUKAISUUSVAKUUTUS.**

Me, LARZEP, S.A.
Osoite: Avda. Urriaga, 6
48269 Mallabia SPAIN

Vakuutamme yksinomaan omalla vastuullamme, että seuraavat tuotteet, joihin tämä vakuutus liittyy, ovat seuraavien Direktiivien vaatimusten mukaisia:

89/392/EEC, 91/368/EEC, 93/44/EEC, 93/68/EEC, 98/37/EEC

FIN**VERKLARINGVAN OVEREENKOMST.**

Wij, LARZEP, S.A.
Adres: Avda. Urriaga, 6
48269 Mallabia SPAIN

Verklaren geheel onder eigen verantwoordelijkheid dat de volgende producten, waarop deze verklaring heeft in overeenstemming zijn met de bepalingen van Richtlijn:

89/392/EEC, 91/368/EEC, 93/44/EEC, 93/68/EEC, 98/37/EEC

NL**FÖRSÄKRAN OM ÖVERESSTÄMMELSE**

Vi, LARZEP, S.A.
Adress: Avda. Urriaga, 6
48269 Mallabia SPAIN

Försäkrar under eget ansvar att följande produkter som omfattas av denna försäkrans är i överensstämmelse med villkoren i Direktiv:

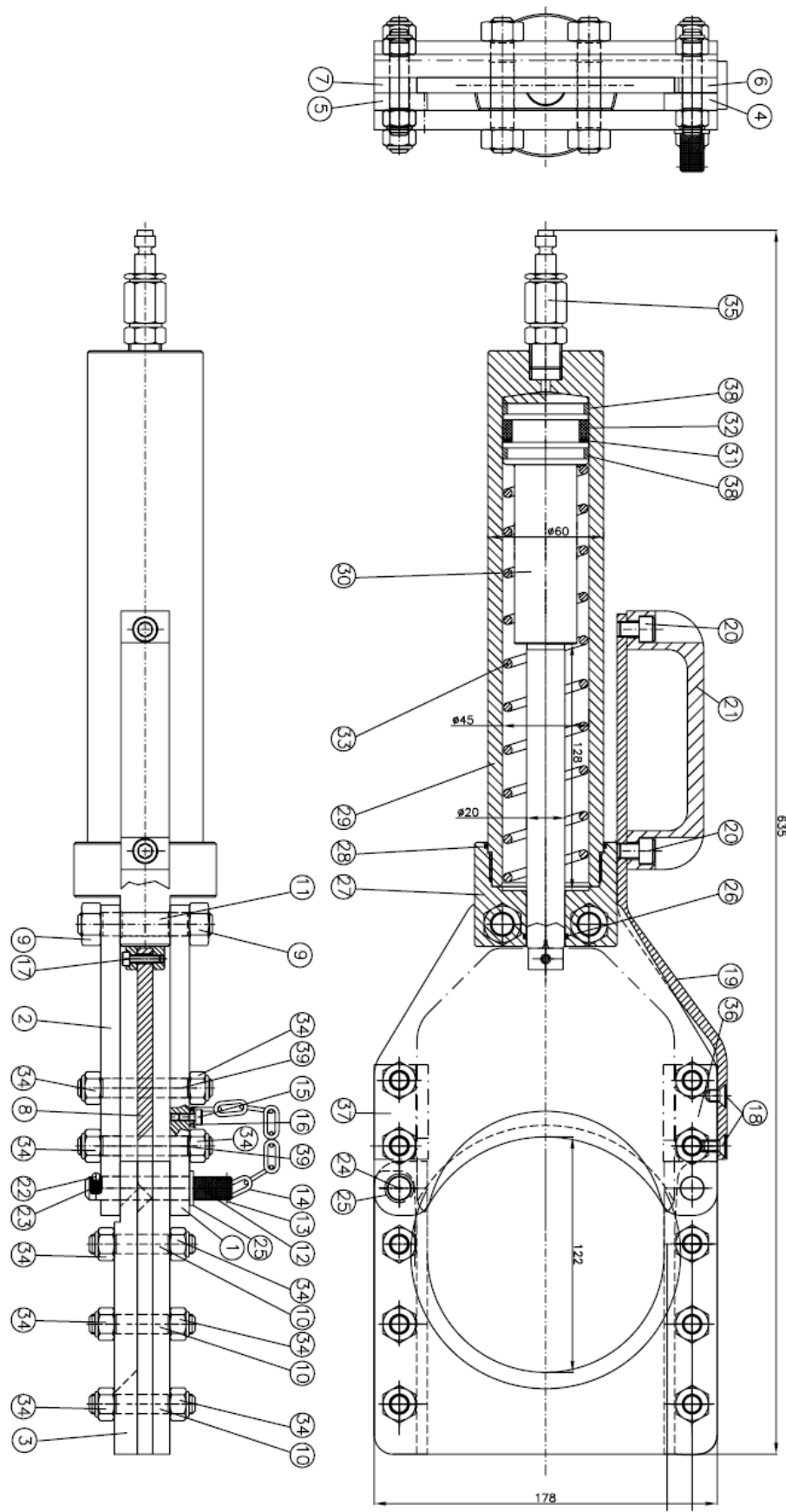
89/392/EEC, 91/368/EEC, 93/44/EEC, 93/68/EEC, 98/37/EEC

S

LARZEP, S.A.

Nombre y firma, name and signature, nom et signature, namn och underskrift, nimi ja nimikirjoitus, navn og underskrift, name und underskrift, naam en handtekening, nome e assinatura, nome e firma.

MODEL	CC01120	WIRE ROPE	CABLE	STEEL ROPE	BAR
PRESSURE	700 kg/cm ²	ALUMINIUM WITH COPPER	LEAD SHELDED UNDERGROUND	MAX. STRENGTH 1800 N/mm ²	STEEL
CAPACITY	109.2 MM	ALUMINIUM WITH STEEL	ØExt. 120 mm.	ØExt. 120 mm.	ØExt. 120 mm.
LENGTH	635 mm.	TELEPHONE	ØExt. 120 mm.	ØExt. 120 mm.	ØExt. 120 mm.
WEIGHT	11.7 Kg	ØExt. 35 mm.	ØExt. 120 mm.	ØExt. 120 mm.	ØExt. 120 mm.



Vn. 3º. Direc. Técnico		MODIFICACIONES		FECHA	
Autor	PEDRO GOMEZ	VERSION			
Ref. Modelo	21-3-03	Denominación	CORTADORA		
Dimensiones en Bruto	Dureza	Material			
Peso en Bruto	Kgr.	Resistencia	Kg/mm ²		
	Escala	Dirección			
1:1					
Tolerancias para las dimensiones en indicación en el dibujo					
AGUJEROS H2E - E.ES H2E - MEDIDAS LINEALES E.025					
M/P < 100		RIGIDIDADES ADMISIBILES		M/P < 0.050	
N/P < 1.80		N/P < 0.40		N/P < 0.050	
		Sustituido por			
		Sustituye a			
		CODIGO		CC01120	
		LARZEP			

Instruction Manual Cable and Bar Cutter "CC01120"

N	DESCRIPTION	REFERENCE GASKET	CODE	N PARTS
1	UPPER PLATE BASE		24K0206	1
2	LOWER PLATE BASE		24K0207	1
3	COUNTERBLADE		59B0006	1
4	RIGHT GUIDE BASE		24F0145	1
5	LEFT GUIDE BASE		24F0146	1
6	RIGHT GUIDE INTERMEDIATE BASE		24K0208	1
7	LEFT GUIDE INTERMEDIATE BASE		24K0209	1
8	MOBILE BLADE		CRC01120	1
9	SELFLOCKING NUT M12 DIN-985		14B0024	4
10	SADDLE SHAFT		15I0264	6
11	SHAFT		15I0255	2
12	PIN		15I0256	1
13	ELASTIC PIN DIN 1481 $\phi 2 \times 12$		14E0032	1
14	1 UNK CHAIN $\phi 2 A=8 L=18$		24I0019	1
15	ALLEN SCREW M4x6 DIN 912 8.8		14A0486	1
16	STANDARD WASHER FOR M4		14C0017	1
17	ALLEN SCREW M4x15 DIN 912 12.9		14A0487	1
18	CHEESE COUNTERSINK HEAD SCREW M6x8 DIN 7991 12.8		14A0488	1
19	HANDLE BASE		24K0210	1
20	ALLEN SCREW M8x12 DIN 912 8.8		14A0485	2
21	TECNODIN HANDLE 1157 13 200		33C0011	1
22	BALL $\phi 4$		31A0002	1
23	SPRING		13D0111	1
24	SADDLE PIN		15I0257	1
25	ELASTIC RING FOR $\phi 12$ DIN 471		14D0038	3
26	O-RING $\phi 20 \times 2$		12A0115	1
27	SADDLE		5600002	1
28	O-RING $\phi 60.04 \times 1.78$		12A0269	1
29	BODY		52E0351	1
30	PISTON		53S0025	1
31	SEGMENT		57A0052	1
32	COLLAR $\phi 35 \times \phi 45 \times 9$	TTU 35-45/1	12B0256	1
33	SPRING		13A0343	1
34	SELFLOCKING NUT M10 DIN-985		14B0023	20
35	MALE BALL QUICK COUPLER $\phi 15.5$ 3/8NPT		AZ3321	1
36	RIGHT BLADE GUIDE		55U0008	1
37	LEFT GUIDE BLADE		55U0006	1

N	DESCRIPTION	REFERENCE GASKET	CODE	N PARTS
38	GUIDE RING $\phi 45 \times \phi 40 \times 5.6$	GP6900450-C380	58F0136	2
39	SHAFT		15I0262	4

Viv. Br. Direc. Industrial	2	Se han sustituido las tornillos 14E032, 14E015 y 14E015 por los tornillos 14E045, 14E047 y 14E048 según N.L. 2282	12-12-06
Autor	1	Se han sustituido los Refs. 52E0277 y 53S0020 por los Refs. 52E0351 y 53S0025 según N.L. 2877	12-12-06
Denominación	DESPIEZO	MODIFICACIONES	5-8-05
Ref. Material	3-8-05	Material	CC01120
Dimensiones en Bruto	3-8-05	Resistencia	kg/mm ²
Peso en Bruto	Kgr.	Escala	Directorio
Tolerancias para las dimensiones en indicación en el dibujo		N19 < 10μ	
AGUEROS H2 - E-ES N16		N7 < 1.8μ	
MEDIDAS UNIDIMENSIONALES ± 0.05		N4 < 0.4μ	
		N2 < 0.05μ	
FECHA		12-12-06	
FECHA		5-8-05	

LARZEP
Sustituido por
CC01120