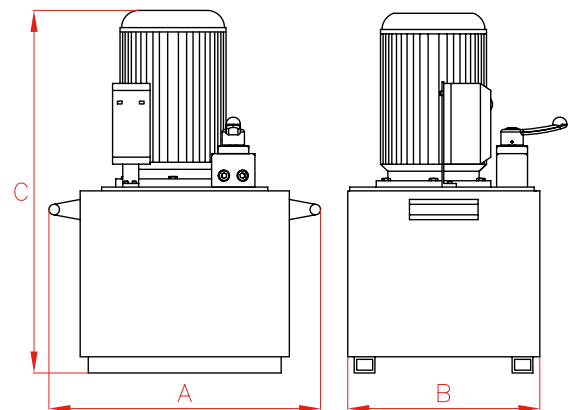


HYDRAULIC POWERPACKS (MANUAL VALVE)



LARZEP advantages

- Manual directional control valves.
- Also available HAE model, remote pendant controlled solenoid valves.
- **The manual control valve is easily converted from double acting to single acting operation.**
- Internal safety valve set at 700 bar to prevent overpressure.
- External adjustable pressure relief valve.
- For use with single acting or double acting cylinders for heavy lifting or production applications.
- Options: roll bars, oil cooler, pressure transducer, wheel kit, pedal and remote motor control. See page 92.



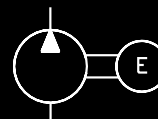
Capacity	A	B	C
l	mm	mm	mm
2,5	220	160	400
5	280	200	481
8,5 - 10	340	247	525
12,5 - 14	368	290	548
25	450	325	667
50	540	415	752
100	830	500	837



Hydraulic Powerpacks with Solenoid Valve, HAE.

Page. 86

HYDRAULIC POWERPACKS



HAM

2,5-100 litres

700 bar

PUMPS

50-60 Hz 3 phase								
Tank	Flow at 700 bar	Flow at 60 bar	230 V		400/415 V		Power	Weight
l	l/min	l/min	Single/A	Double/A	Single/A	Double/A	kW	kg
2,5	0,36	-	HAM1122	HAM1142	HAM1124	HAM1144	0,56	16
5	0,51	-	HAM2222	HAM2242	HAM2224	HAM2244	0,75	21
5	0,36	4	HAM7222	HAM7242	HAM7224	HAM7244	0,75	21
8,5	0,70	-	HAM3322	HAM3342	HAM3324	HAM3344	1,00	34
8,5	1,17	-	HAM4322	HAM4342	HAM4324	HAM4344	1,50	34
10	0,36	4	HAM7322	HAM7342	HAM7324	HAM7344	0,75	26
12,5	1,17	-	HAM4422	HAM4442	HAM4424	HAM4444	1,50	46
14	0,36	4	HAM7422	HAM7442	HAM7424	HAM7444	0,75	31
25	2,20	-	HAM5522	HAM5542	HAM5524	HAM5544	3,00	73
25	2,20	13*	HAM8522	HAM8542	HAM8524	HAM8544	4,00	86
50	2,20	13*	HAM8622	HAM8642	HAM8624	HAM8644	4,00	128
50	4,00	29*	HAM9622	HAM9642	HAM9624	HAM9644	5,50	156
100	4,00	29*	HAM9722	HAM9742	HAM9724	HAM9744	5,50	240

* Flow at 100 bar

50 Hz Single Phase								
Tank	Flow at 700 bar	Flow at 60 bar	115 V		230 V		Power	Weight
l	l/min	l/min	Single/A	Double/A	Single/A	Double/A	kW	kg
5	0,36	-	HAM1225	HAM1245	HAM1221	HAM1241	0,75	26
5	0,51	-	HAM2225	HAM2245	HAM2221	HAM2241	0,75	29
5	0,36	4	HAM7225	HAM7245	HAM7221	HAM7241	0,75	29
10	0,36	4	HAM7325	HAM7345	HAM7321	HAM7341	0,75	34
12,5	1,17	-	HAM4425	HAM4445	HAM4421	HAM4441	2,20	57
14	0,36	4	HAM7425	HAM7445	HAM7421	HAM7441	0,75	39

60 Hz Single Phase								
Tank	Flow at 700 bar	Flow at 60 bar	115 V		230 V		Power	Weight
l	l/min	l/min	Single/A	Double/A	Single/A	Double/A	kW	kg
5	0,36	-	HAM1226	HAM1246	HAM1223	HAM1243	0,75	26
5	0,51	-	HAM2226	HAM2246	HAM2223	HAM2243	0,75	29
5	0,36	4	HAM7226	HAM7246	HAM7223	HAM7243	0,75	29
10	0,36	4	HAM7326	HAM7346	HAM7323	HAM7343	0,75	34
12,5	1,17	-	HAM4426	HAM4446	HAM4423	HAM4443	2,20	57
14	0,36	4	HAM7426	HAM7446	HAM7423	HAM7443	0,75	39