

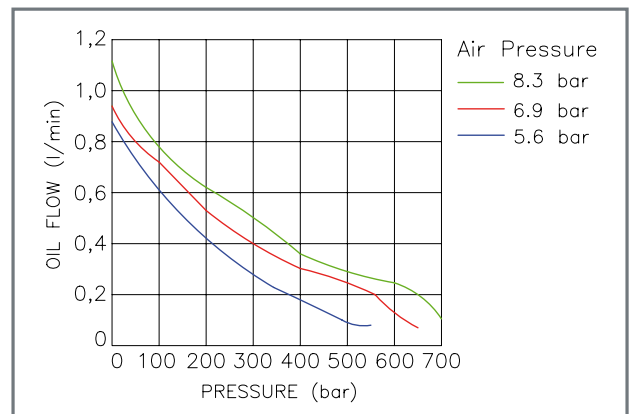
AIR HYDRAULIC PUMPS



LARZEP advantages

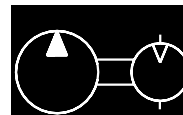
- On Z models for Single Acting cylinders, the pedal acts as the control valve, by controlling advance, hold and retract functions. In 'hold' mode, the pump maintains the output pressure.
- On ZR models, for Single Acting cylinders, operation is controlled by a remote pendant.
- Double Acting models are fitted with a manual 4-way 3 position control valve.
- The hydraulic port on all models is 3/8"-NPT female.
- Working pressures 700 bar and 1.000 bar.
- Easily accessible adjustable relief valve.
- 4, 7, 10 and 20 litre pumps are fitted with steel tanks.
- Optional steel base plate available for Z12107 part number.
- Also available aluminium free models.
- Air Pressure: 2,8 - 10 bar.
- Air Consumption: 400 N l/min.
- 700 bar Flow Rate: 0,14 l/min.
- 1.000 bar Flow Rate: 0,08 l/min.

OIL FLOW - PRESSURE CHART





AIR HYDRAULIC PUMPS



Z-ZR

2,1-20 litres

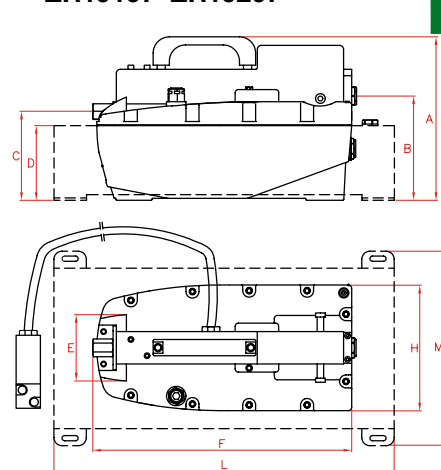
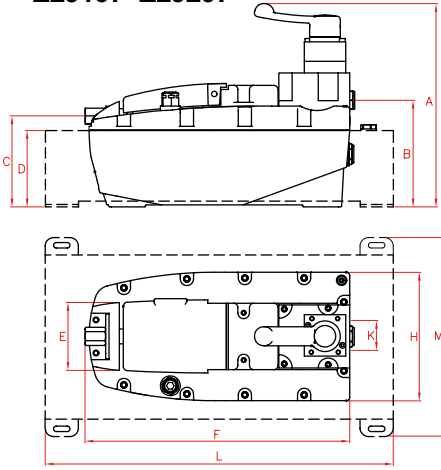
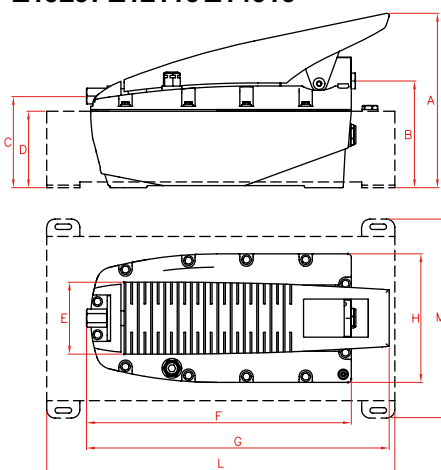
700-1.000 bar

PUMPS

Z12107 Z14007 Z17007 Z19107
Z19207 Z12110 Z14010

Z22107 Z24007 Z27007
Z29107 Z29207

ZR12107 ZR14007 ZR17007
ZR19107 ZR19207



700 BAR WORKING PRESSURE

Type	Oil capacity	Model	A	B	C	D	E	F	G	H	K	L	M	Weight
	litres	LARZEP	mm	mm	mm	mm	mm	mm	mm	mm	mm	mm	mm	kg
Single Acting	2,1	Z12107	209	127	109	-	87	320	364	155	-	-	-	7,6
Single Acting	4,0	Z14007	221	139	120	104	87	320	364	155	-	420	240	14,4
Single Acting	6,9	Z17007	221	139	120	104	87	320	364	155	-	630	240	19,2
Single Acting	10,0	Z19107	221	139	120	104	87	320	364	155	-	630	308	21,8
Single Acting	20,0	Z19207	221	139	120	104	87	320	364	155	-	850	420	29,1
Double Acting	2,1	Z22107	233	129	109	-	87	320	-	155	36	-	-	8,4
Double Acting	4,0	Z24007	244	140	120	104	87	320	-	155	36	420	240	15,2
Double Acting	6,9	Z27007	244	140	120	104	87	320	-	155	36	630	240	20,4
Double Acting	10,0	Z29107	244	140	120	104	87	320	-	155	36	630	308	23,0
Double Acting	20,0	Z29207	244	140	120	104	87	320	-	155	36	850	420	30,3
Single Acting	2,1	ZR12107	218	127	109	-	87	322	-	155	-	-	-	8,6
Single Acting	4,0	ZR14007	229	139	120	104	87	322	-	155	-	420	240	15,2
Single Acting	6,9	ZR17007	229	139	120	104	87	322	-	155	-	630	240	20,4
Single Acting	10,0	ZR19107	229	139	120	104	87	322	-	155	-	630	308	23,0
Single Acting	20,0	ZR19207	229	139	120	104	87	322	-	155	-	850	420	30,3

1.000 BAR WORKING PRESSURE

Type	Oil capacity	Model	A	B	C	D	E	F	G	H	K	L	M	Weight
	litres	LARZEP	mm	mm	mm	mm	mm	mm	mm	mm	mm	mm	mm	kg
Single Acting	2,1	Z12110	209	127	109	-	87	320	364	155	-	-	-	7,6
Single Acting	4,0	Z14010	221	139	120	104	87	320	364	155	-	420	240	14,4